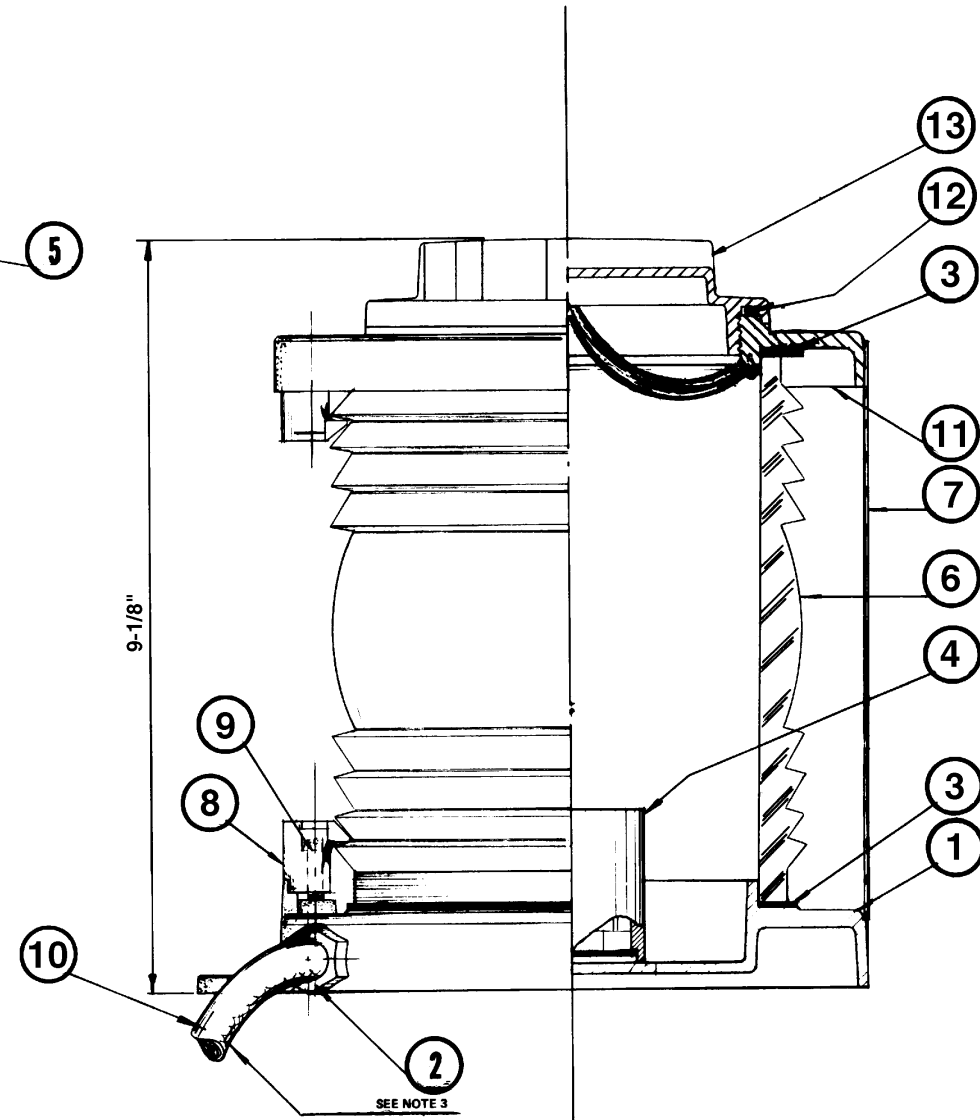
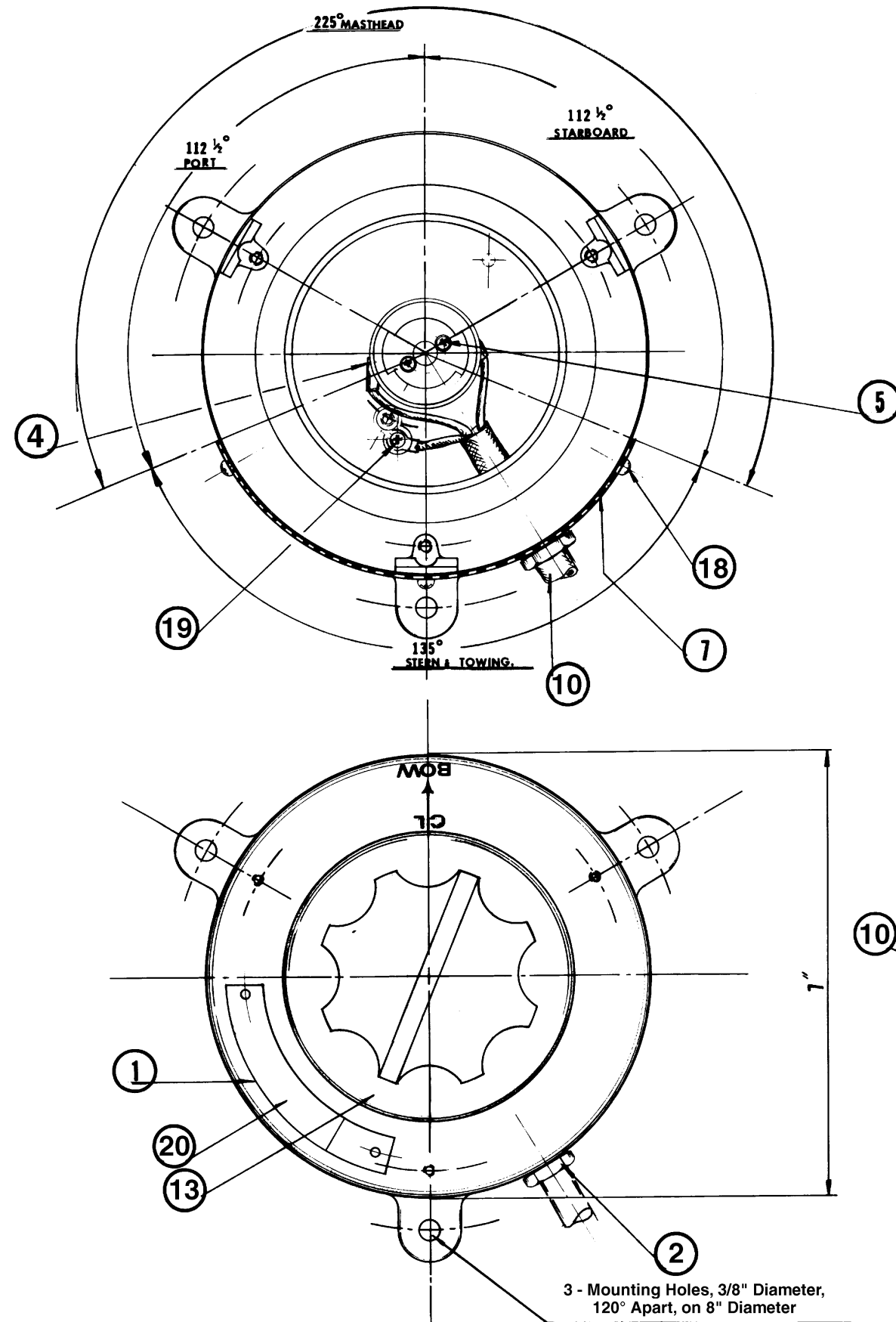


PERKO®



BILL OF MATERIAL

No.	Name of Piece	Quan	Material	Size & Specification
1	Casting, Light Bottom	1	Bronze	
2	Nut, Gland, W/Packing Ring	1	Brass	For 7/16 Inch Cable
3	Gasket, Cat. No. 1143	2	Neoprene	3/32 x 4-1/2 x 5-12
4	Socket, Lamp Cat. No. 0367	1		(See Note #2)
5	Screw, Socket	2	Brass	6/32 x 3/4 R.H.
6	Lens, Cat. No. 0261001	1	Polycarb	(See Note #1)
7	Shield, Light	1	Wr. Brass	Varies
8	Retainer, Lens Cat. No.1133	6	Polycarb	
9	Screw, Cap	6	S/S	
10	Electrical Cable	1	16/3 SO.	.430 In. Dia. x 3 Ft. Long
11	Casting, Top	1	Bronze	
12	O-Ring, Cap Cat. No. 1119	1	Neoprene	4-5/8 O.D. x 1/8 Inch
13	Cap Light Top W/Cable Cat. No. 1105000BLK	1	Polycarb.	Thread 4 Inches - 14
18	Screw, Light Shield	Var.	S/S	#8 x 1/4 In. Self Tapping
19	Screw, Ground	1	Brass	8-32 x 1/4
20	Certification Plate	1	Brass	Not Available as a Replacement Part

VISIBILITY & LAMP SPECIFICATIONS FOR VESSELS OVER 20 METERS (65.6 FT.) IN LENGTH

BRONZE CAT. NO.	DESCRIPTION	VISIBILITY ARC	VISIBILITY MILES	LAMP* CAT. NO.	WATTAGE
1172RE0PLB	RED SIDE LIGHT	112-1/2°	3	342004CLR	60
1172GE0PLB	GREEN SIDE LIGHT	112-1/2°	3	342004CLR	60
1173E00PLB	WHITE MASTHEAD LIGHT	225°	6	342004CLR	60
1174E00PLB	WHITE STERN LIGHT	135°	3	342004CLR	60
1174ME0PLB	YELLOW TOWING LIGHT	135°	3	342004CLR	60
1169E00PLB	WHITE ALL-ROUND LIGHT	360°	3	342004CLR	60
1169HE0PLB	WHITE ALL-ROUND LIGHT	360°	6	342004CLR	60
1170RE0PLB	RED ALL-ROUND LIGHT	360°	3	342004CLR	60
1170GE0PLB	GREEN ALL-ROUND LIGHT	360°	3	342004CLR	60
1170ME0PLB	YELLOW ALL-ROUND LIGHT	360°	3	342004CLR	60

BULB DATA: THESE ARE SPECIAL NAVIGATION LAMPS. 120 VOLTS, T-10 MEDIUM PREFOCUS BASE, C-8 FILAMENT, CLEAR, 2-3/8 INCHES L.C.L. AND MUST BE USED TO MEET THE 1972 COLREGS.

THESE NAVIGATION LIGHTS MEET U.S. COAST GUARD REQUIREMENTS UNDER THE 1972 COLREGS AND ARE CLASSIFIED BY UNDERWRITER'S LABORATORIES STANDARD U.L. 1104 TO MEET THE 1972 COLREGS AND THE U.S. INLAND NAVIGATION RULES ACT OF 1980.

NOTES:

1. LENS - Polycarbonate, fresnel optic, 360° PERKO, Cat. No. 0261 Size No. 1.
White (Clear) - Masthead, All-Round
White (Gray) - Stern, All-Round
Red - Port Side and All-Round
Green - Starboard Side and All-Round
Yellow - Towing and All-Round
2. SOCKET - Medium Prefocus, Phenolic, Bryant #3743 Rated 1000 Watts - 250 Volts U.L. Listed PERKO Cat. No. 0367.
3. For supply connections use 7/16 inch O.D. cable, stranded copper wire minimum 16 gauge 3 conductor 90°C (Prewired with 16/3-S/O Cable).
4. Cat. No. 1169HE0PLB is Optional For Great Lakes Only.
5. Weight - 10 Lbs.



PERKO®
 16490 N.W. 13th Avenue Miami, FL 33169-5707
 Date: 12-28-77 Drawn By: D. Beutler
 Scale: None Revised: 08/2/22
CAT. NO.S 1169 - 1174
SINGLE LENS ELECTRIC NAVIGATION LIGHTS



**INSTALLATION INSTRUCTIONS for
Cat. Nos. 1169 - 1174 "E" Series
SINGE LENS NAVIGATION LIGHTS**



The above lights are designed for use on vessels over 20 meters (65.6 ft.) in length, operating on a 120 volt electrical system. In order to comply with the '72 COLREGS and the U.S. Inland Rules, the following must be adhered to:

**MOUNTING INFORMATION
Read all instructions before proceeding.**

- (1). These instructions describe the installation of the lights after the proper mounting location has been determined. For proper light selection, positioning and configuration, refer to the '72 COLREGS*, U.S. Inland Navigation Rules* and/or other governing requirements applicable to the type and class of vessel.
- (2). These lights are designed to be mounted on a horizontal surface.
- (3). All electrical supply connections must be accomplished in accordance with applicable marine electrical standards and regulations and by a qualified marine electrician.
- (4). Proper lamp must be selected in accordance with the identification plate mounted on the light.
- (5). Record information from the identification plate onto the "Navigation Light Certificate of Compliance" and store with the vessel's documents.
- (6). Mounting bolt pattern has not changed from previous styles.
- (7). Align light by making sure that a reference line drawn through the fore-aft marks on the light is parallel to the fore-aft centerline of the vessel.
- (8). Using the base as a template, mark the mounting surface and drill for 3/8 inch bolts.
- (9). After bolting in place, re-check alignment.

*The above referenced regulations can be obtained from:

U.S. Coast Guard
Washington, D.C. 20593
(or your local C.G. office)

PERKO, INC.
16490 N.W. 13th Avenue
Miami, FL 33169-5707
www.perko.com

08/22
1169INS1



NAVIGATION LIGHT CERTIFICATE OF COMPLIANCE

This navigation light has been tested and classified by UNDERWRITERS' LABORATORIES, INC. (U.L.) in accordance with the '72 COLREGS and the U.S. INLAND NAVIGATION RULES ACT OF 1980. When properly installed, and fitted with the correct lamp, this light is approved by the U.S. Coast Guard for use aboard U.S. Coast Guard inspected vessels. This certification is also accepted by other inspecting authorities. An identification plate attached to the light provides lamp replacement and official certification information.

Upon installation, record information below from the identification plate, as applicable to the class of vessel on which the light is to be fitted.

Type of Light _____
(Masthead, Stern, All-Round Etc.)

Cat. No. _____
(1172-GE0-PLB, 1173-E00-PLB, Etc.)

D.O.M. No. _____
(Die Stamped)

Vessel Length _____

Replacement Lamp _____
(Cat No. of lamp)

Date of Installation _____

Vessel Identification _____

08/22

PERKO, INC.
16490 N.W. 13th Avenue
Miami, FL 33169-5707
www.perko.com